

PRODUCT DATA SHEET

22mm DIAMETER VOLTMETER



DESCRIPTION

The voltmeter will allow you to monitor the voltage of a device. The meter can only be used to measure AC electricity. High It offers a long service life with its quality material structure.

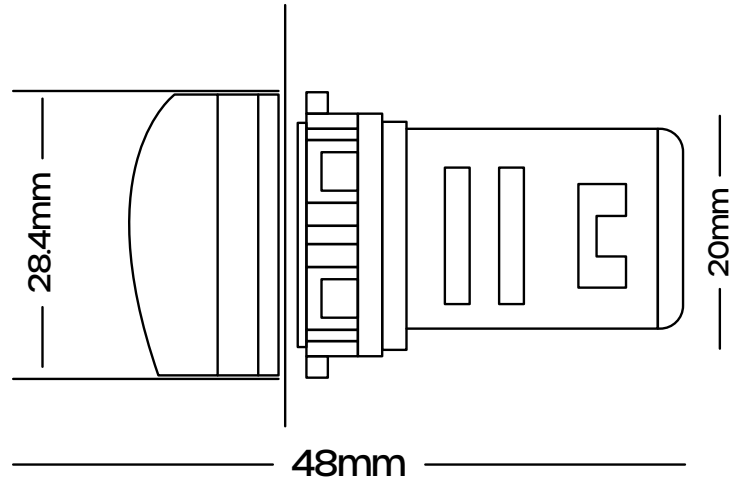
FEATURES

- High brightness LED display.
- Cylindrical main body.
- 24 - 550V Led Voltmeter

PRODUCT DATA SHEET

22mm DIAMETER VOLTMETER

SECTIONS AND DIMENSIONS



PRODUCT CODE	DIAMETER (mm)	DESCRIPTION	COLOUR
22 VS-M	22	24-550V Voltmeter with Led	Blue